



GET CAD DATA READY  
FOR NEW EXPERIENCES



DEVELOPS STATE-OF-THE-ART ALGORITHMS FOR **CAD**  
**PREPARATION,**  
**OPTIMIZATION &**  
**VISUALIZATION**

TODAY  
**20**  
**20**

MORE THAN  
**280**

**CUSTOMERS**  
WORLDWIDE



PARIS  
COMPIEGNE  
MONTREAL

**MULTI**  
**SKILLED**

CAD  
xR technologies  
Realtime rendering  
AI, ML & DL

STAFF

**24**



**PARTNER**  
SINCE MARCH 2018

**Over 140**

ALGORITHMS DEDICATED  
TO **DATA PREPARATION &**  
**OPTIMIZATION**

# WHY IS IT A CHALLENGE TO USE CAD IN REAL-TIME 3D EXPERIENCES?

CAD MODELER

REAL-TIME 3D

LARGE ASSEMBLIES

EXACT MATHEMATICAL GEOMETRIES  
BOUNDARY REPRESENTATIONS

METADATA

PRODUCT MODELING  
INFORMATION

DESIGN PRODUCT STRUCTURE

PHYSICS PROPERTY  
MATERIALS

MATERIALS & UVs

SIMPLIFIED HIERARCHY & ASSEMBLY

MULTI-PLATFORM

OPTIMIZED MESH

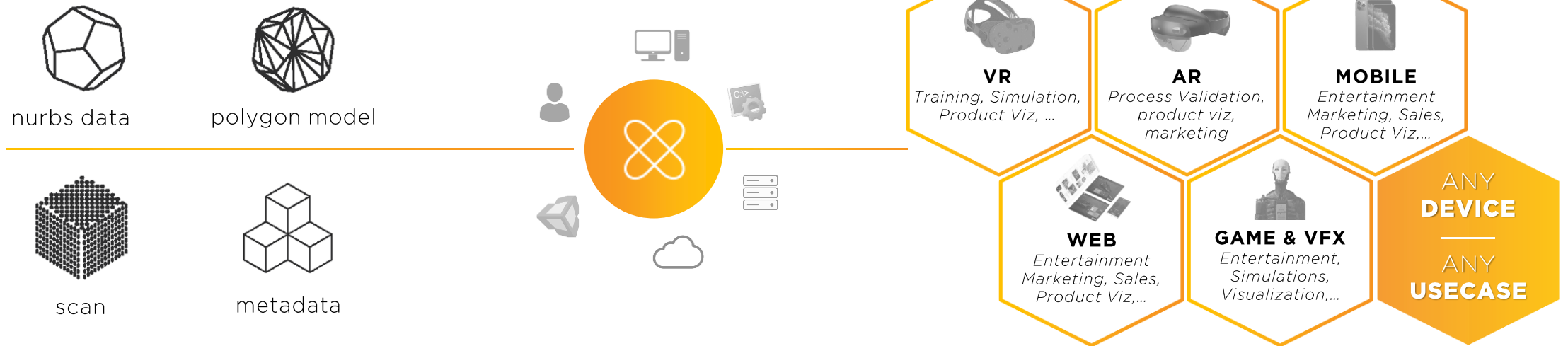
REAL-TIME ANIMATION



DIGITAL CONTINUITY

# UNLOCK CAD DATA FOR REAL-TIME 3D EXPERIENCES

PiXYZ centralize the data preparation addressing directly any business case with automated processing





# PARTNERSHIP FOR INDUSTRY

---



**25+**  
Platforms  
Supported

**1M+**  
Monthly  
Active Developers

**1B+**  
Devices Reached  
Monthly

## Strategic Reseller Agreement – March 2018

Unity and PiXYZ software have joined forces to provide large enterprises and individual professionals alike with best-in-class solutions to easily import and optimize CAD data for creating real-time experiences in Unity

PRESS RELEASE



# CORE TECHNOLOGY



# PIXYZ TECHNOLOGY

## CAD & MESH REPAIR

## POINT CLOUDS

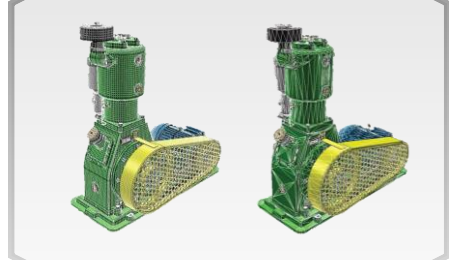
## CAD & 3D I/O

NAME	VERSION	EXTENSION	STATUS	TYPE
001	All versions	STEP	✓	✓
002	All versions	STEP	✓	✓
003	All versions	STEP	✓	✓
004	All versions	STEP	✓	✓
005	All versions	STEP	✓	✓
006	All versions	STEP	✓	✓
007	All versions	STEP	✓	✓
008	All versions	STEP	✓	✓
009	All versions	STEP	✓	✓
010	All versions	STEP	✓	✓
011	All versions	STEP	✓	✓
012	All versions	STEP	✓	✓
013	All versions	STEP	✓	✓
014	All versions	STEP	✓	✓
015	All versions	STEP	✓	✓
016	All versions	STEP	✓	✓
017	All versions	STEP	✓	✓
018	All versions	STEP	✓	✓
019	All versions	STEP	✓	✓
020	All versions	STEP	✓	✓
021	All versions	STEP	✓	✓
022	All versions	STEP	✓	✓
023	All versions	STEP	✓	✓
024	All versions	STEP	✓	✓
025	All versions	STEP	✓	✓
026	All versions	STEP	✓	✓
027	All versions	STEP	✓	✓
028	All versions	STEP	✓	✓
029	All versions	STEP	✓	✓
030	All versions	STEP	✓	✓
031	All versions	STEP	✓	✓
032	All versions	STEP	✓	✓
033	All versions	STEP	✓	✓
034	All versions	STEP	✓	✓
035	All versions	STEP	✓	✓
036	All versions	STEP	✓	✓
037	All versions	STEP	✓	✓
038	All versions	STEP	✓	✓
039	All versions	STEP	✓	✓
040	All versions	STEP	✓	✓
041	All versions	STEP	✓	✓
042	All versions	STEP	✓	✓
043	All versions	STEP	✓	✓
044	All versions	STEP	✓	✓
045	All versions	STEP	✓	✓
046	All versions	STEP	✓	✓
047	All versions	STEP	✓	✓
048	All versions	STEP	✓	✓
049	All versions	STEP	✓	✓
050	All versions	STEP	✓	✓
051	All versions	STEP	✓	✓
052	All versions	STEP	✓	✓
053	All versions	STEP	✓	✓
054	All versions	STEP	✓	✓
055	All versions	STEP	✓	✓
056	All versions	STEP	✓	✓
057	All versions	STEP	✓	✓
058	All versions	STEP	✓	✓
059	All versions	STEP	✓	✓
060	All versions	STEP	✓	✓
061	All versions	STEP	✓	✓
062	All versions	STEP	✓	✓
063	All versions	STEP	✓	✓
064	All versions	STEP	✓	✓
065	All versions	STEP	✓	✓
066	All versions	STEP	✓	✓
067	All versions	STEP	✓	✓
068	All versions	STEP	✓	✓
069	All versions	STEP	✓	✓
070	All versions	STEP	✓	✓
071	All versions	STEP	✓	✓
072	All versions	STEP	✓	✓
073	All versions	STEP	✓	✓
074	All versions	STEP	✓	✓
075	All versions	STEP	✓	✓
076	All versions	STEP	✓	✓
077	All versions	STEP	✓	✓
078	All versions	STEP	✓	✓
079	All versions	STEP	✓	✓
080	All versions	STEP	✓	✓
081	All versions	STEP	✓	✓
082	All versions	STEP	✓	✓
083	All versions	STEP	✓	✓
084	All versions	STEP	✓	✓
085	All versions	STEP	✓	✓
086	All versions	STEP	✓	✓
087	All versions	STEP	✓	✓
088	All versions	STEP	✓	✓
089	All versions	STEP	✓	✓
090	All versions	STEP	✓	✓
091	All versions	STEP	✓	✓
092	All versions	STEP	✓	✓
093	All versions	STEP	✓	✓
094	All versions	STEP	✓	✓
095	All versions	STEP	✓	✓
096	All versions	STEP	✓	✓
097	All versions	STEP	✓	✓
098	All versions	STEP	✓	✓
099	All versions	STEP	✓	✓
100	All versions	STEP	✓	✓

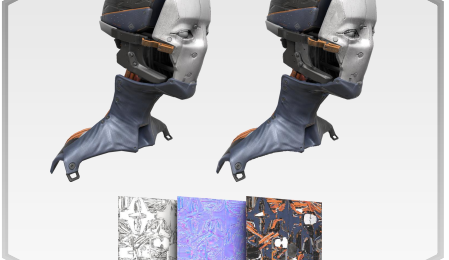


## INTEGRATED WORKFLOWS

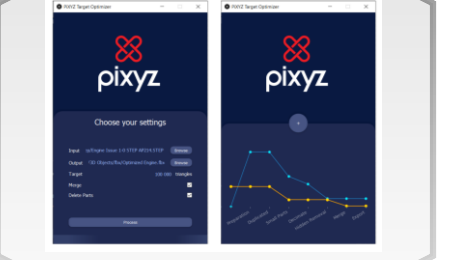
## TESELLATION



## MESH SIMPLIFICATION



## LOD - REMESHING - BAKING



## TARGET OPTIMIZER



# PIXYZ TECHNOLOGY

## CAD & 3D FILES IMPORT AGNOSTIC

One thing all PiXYZ products share is a high-performance core that combines fast processing speed, the ability to handle massive assemblies, and the ability to use data from virtually any common design system. Whether you're working with a complete automotive powertrain assembly in NX, a large architectural curtain wall in CATIA, or manufacturing equipment in Inventor, Unity with PiXYZ has you covered.

More details available here: [http://bit.ly/3c5M3uy\\_PiXYZ\\_supported\\_formats\\_2020](http://bit.ly/3c5M3uy_PiXYZ_supported_formats_2020)

FORMAT	EXPORT (6)		
	VERSION	EXTENSIONS	TESSELLATION
Autodesk FBX	Versions 2011 to 2017 (7)	FBX	●
CATIA V5 [3DXML]	v4.2	3DXML	●
COLLADA	1.5 (2008)	DAE	●
gITF	2.0	GLTF, BIN	●
JT	v9.5	JT	Dev/Beta
OBJ	All Versions	OBJ	●
PDF	All Versions	PDF	●
PRC	All Versions	PRC	●
Stereo Lithography (STL)	All Versions	STL	●

Available output formats (« Export »)

FORMAT	IMPORT				
	VERSION	EXTENSIONS	TESSELLATION	BREP	PMI
PIXYZ	All Versions	PXZ	●	●	●
ACIS	Up to 2018.1 (R28)	SAT, SAB	●	●	●
AutoCAD 3D	Up to Version 2018	DWG, DXF	●	●	●
Autodesk Alias (1)	Up to Version 2016	WIRE	●	●	●
Autodesk FBX	Versions 2011 to 2017	FBX	●	●	●
Autodesk Inventor	Up to 2018	IPT, IAM	●	●	●
Autodesk VRED (5)	VRED license required	VPB	●	●	●
CATIA V4	Up to 4.2.5	MODEL, SESSION	●	●	●
CATIA V5	Up to V5-6 R2018 (R28)	CATPart, CATProduct, CATShape, CGR	●	●	●
CATIA V5 [3DXML]	Up to V5-6 R2018 (R28)	3DXML	●	●	●
CATIA V6 [3DXML]	Up to 2013x	3DXML	●	●	●
Creo - Pro/E	Pro/Engineer 19.0 to Creo 5.0 Beta	ASM, NEU, PRT, XAS, XPR	●	●	●
COLLADA	1.5 (2008)	DAE	●	●	●
CSB Deltagen (2)	Up to Version 2018	CSB	Dev/Beta	Dev/Beta	●
gITF	2.0	GLTF	●	●	●
IFC (3)	IFC2x Editions 2, 3 and 4	IFC	●	●	●
IGES	5.1, 5.2, 5.3	IGS, IGES	●	●	●
JT	Up to v10.0	JT	●	●	●
OBJ	All Versions	OBJ	●	●	●
Parasolid	Up to v30.1	X,B,X,T,P,T,P,B,XMT,XMT_TXT,XMT_BIN	●	●	●
PDF	All Versions	PDF	●	●	●
PLM XML	6	PLMXML	●	●	●
PLY	1.0	PLY	●	●	●
Point Cloud (4)	1.0 (E57)	E57, PTS, PTX, XYZ	Points	●	●
PRC	All Versions	PRC	●	●	●
Rhino3D	4.5	3DM	●	●	●
SketchUp	Up to Version 2017	SKP	●	●	●
Solid Edge	V19 - 20, ST - ST10	ASM, PAR, PWD, PSM	●	●	●
SolidWorks	From 97 up to 2018	SLDASM, SLDPRPT	●	●	●
STEP	AP 203 E1/E2, AP 214, AP 242	STP, STEP, STPZ, STEPZ	●	●	●
Stereo Lithography (STL)	All Versions	STL	●	●	●
USD	ECMA-363 (1st, 2nd and 3rd editions)	USD	●	●	●
Unigraphics NX	V11.0 to NX 12.0	PRT	●	●	●
VDA-FS	Version 1.0 and 2.0	VDA	●	●	●
VRML	V1.0 and V2.0	WRL, VRML	●	●	●

Supported file formats (« Import »)





# PIXYZ TECHNOLOGY

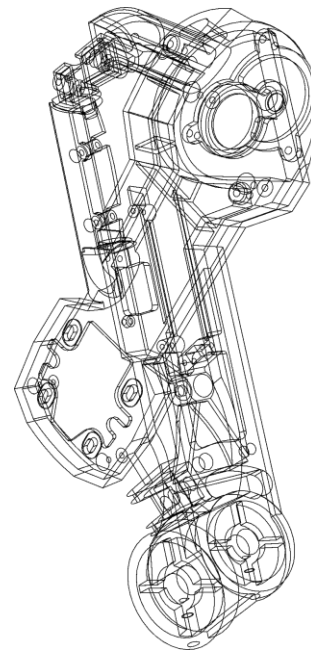
---

## TESSELLATION

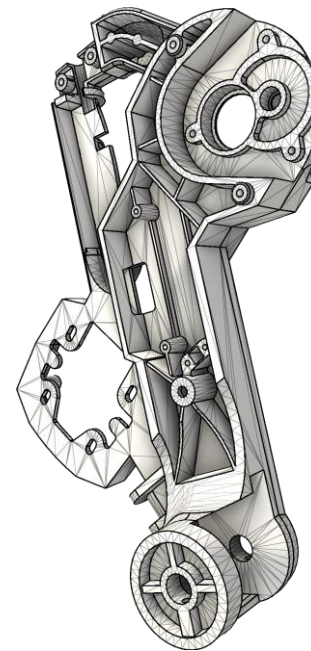
PiXYZ is recognized as the best CAD Meshing tool for the industry market by the most challenging customers. PiXYZ creation mesh algorithm offers multiple tolerance settings to ensure the most efficient result for rendering engines.

## TESSELLATION

---



Native industrial data



Tessellated (mesh)



Rendered



# PIXYZ TECHNOLOGY

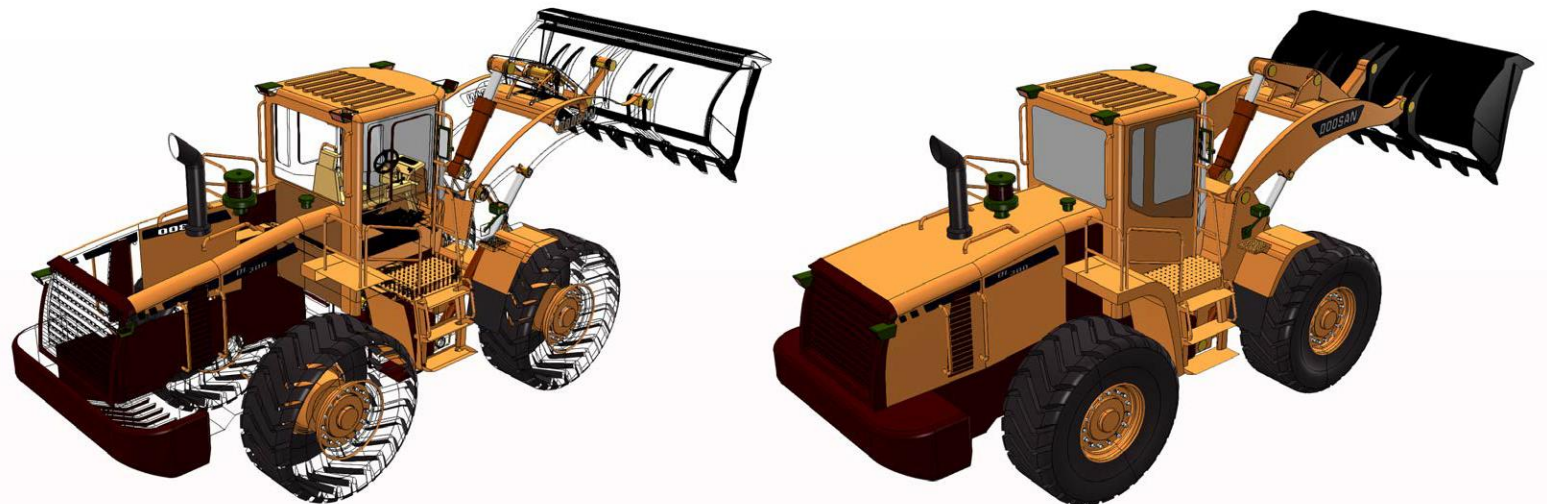
---

## CAD & MESH AUTOMATIC REPAIRS

PiXYZ offers CAD and Mesh repair features, such as CAD topology correction, removal of duplicated faces/patches, face reconnection, polygon reconnection, normals/faces orientation unification, etc...

## MESH REPARATION

---

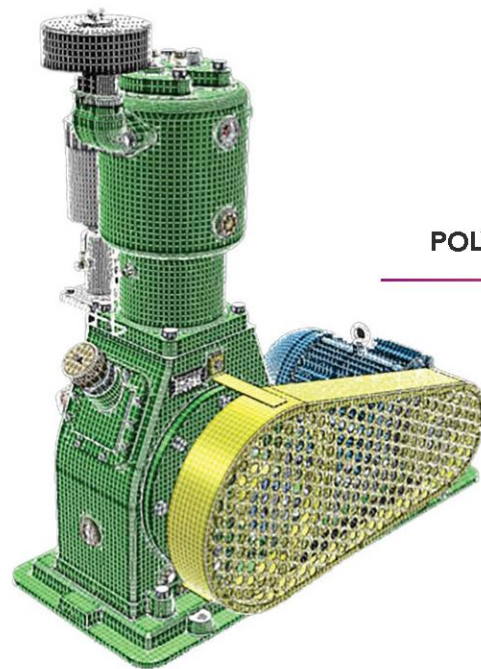


# PIXYZ TECHNOLOGY

---

## POLYGON REDUCTION

Reduce and optimize the number of polygons contained in your 3D model without degrading the visual quality of your asset. PiXYZ optimize mesh algorithm offers multiple tolerance settings to ensure the most efficient preparation for rendering engines.



## POLYGON REDUCTION

---





# PIXYZ TECHNOLOGY

## LOD GENERATION

Use pixyz to automatically generate «level of details» representations of your cad models.



**ORIGINAL**  
139 173 Triangles  
82 Objects  
7 Materials

**DECIMATION**  
85 854 Triangles  
82 Objects  
7 Materials

**PROXY + ATLASING + BAKING**  
8 441 Triangles  
1 Object  
1 Material





# PIXYZ TECHNOLOGY

## REMESHING

Automatically convert an industrial complex assembly in a single « wetted area ».

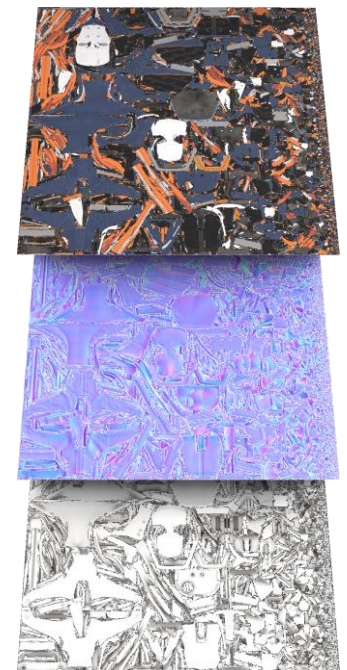
Immediately switch from thousands of parts and millions of polygons to a single low-polygon mesh model.



**Original asset**  
40K triangles, 3 materials, 2 meshes



**Baked asset**  
8K triangles, 1 material, 1 meshes



**Baked PBR maps**

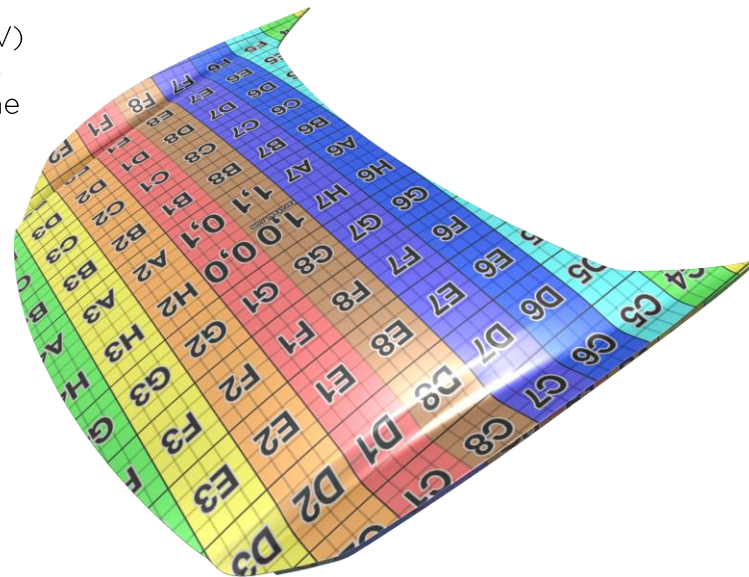


# PIXYZ TECHNOLOGY

---

## UV GENERATION TOOLS

PiXYZ offers numerous coordinate textures (UV) generation & preparation tools to ease the use of textures & advanced materials in Unity engine or other realtime 3D visualization tools



*Low stretching, uniform UVs*



*Textured model*

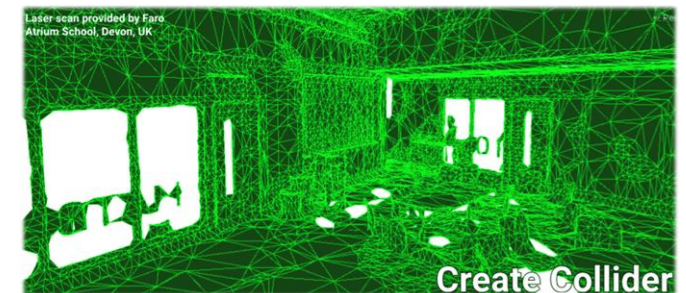


# PIXYZ TECHNOLOGY

## POINT CLOUD IMPORT, MESHING & LOD CREATION

All PiXYZ product can now import point clouds for visualization use. Using some of the most advanced PiXYZ core features (retopology, texture baking, voxelization,, ...) those point clouds can even be turned into a standard mesh for realtime visualization, collision detection and much more.

PiXYZ Plugin for Unity also recently introduced an automatic LOD creation for pointclouds within Unity engine.



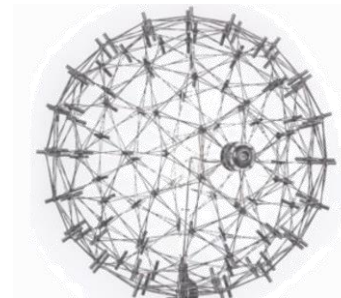


# PIXYZ TECHNOLOGY

---

## HIDDEN ELEMENTS AUTOMATIC SORT & REMOVAL

Automatically remove or select inner entities from complex assemblies & geometries.



*Complete assembly with inner elements*



*Automatically cleaned-up asset*



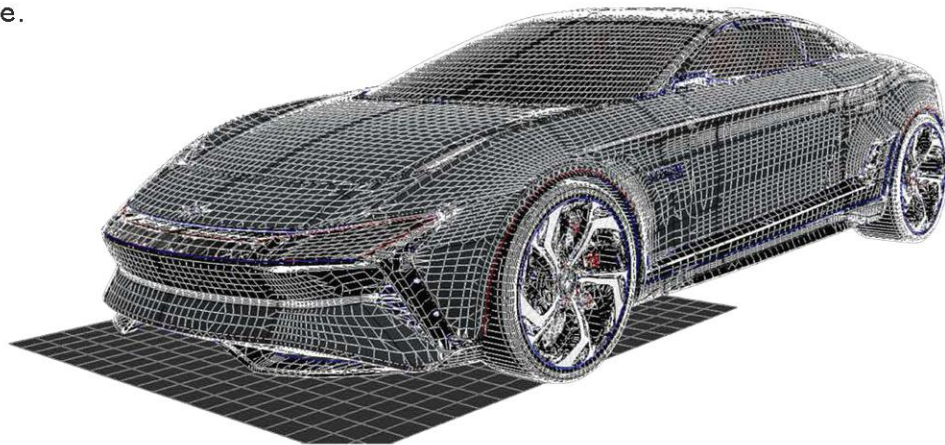


# PIXYZ TECHNOLOGY

---

## EXPORT FOR AR

Take advantage of PiXYZ algorithms to simplify complex 3D assets and export directly to the usdz format for instant AR visualization on any Apple device.



## USD FILE FORMAT

---



# PRODUCTS



# PiXYZ PRODUCTS

---

## GET YOUR CAD DATA READY FOR NEW EXPERIENCES



### Studio

Interactively prepare & optimize any CAD data for all your needs.

All the knowledge of PiXYZ in a toolbox for 3D assets interactive preparation & a glimpse at scripting & automation.



### Batch

Build a direct, automatic & bespoke pipeline from CAD to real-time end-visualization solutions using PiXYZ Batch & its scripting capability.

With on-demand service & support, PiXYZ can help build tailor-made data preparation strategies to best suit your needs.



### Plugin

PiXYZ for Unity 3D : connect engineering & BIM data to game engines for new realtime & immersive experiences.

Give life to CAD data with effortless integration in Unity.



### Review

The ultimate CAD file viewer: instantly review & interact with complex and various assemblies in desktop, AR, VR.

Review 3D models and collaborate within the company to facilitate decision-making & speed-up design workflows.





The background features a dark, almost black, 3D-rendered scene filled with various geometric shapes. These include rectangular blocks of different sizes and orientations, some standing upright and others lying flat. The lighting is dramatic, coming from the side, which creates strong highlights on the top and side surfaces of the blocks, while the rest of the scene is in deep shadow. The overall effect is a complex, abstract architectural or industrial structure.

# BUSINESS CASES

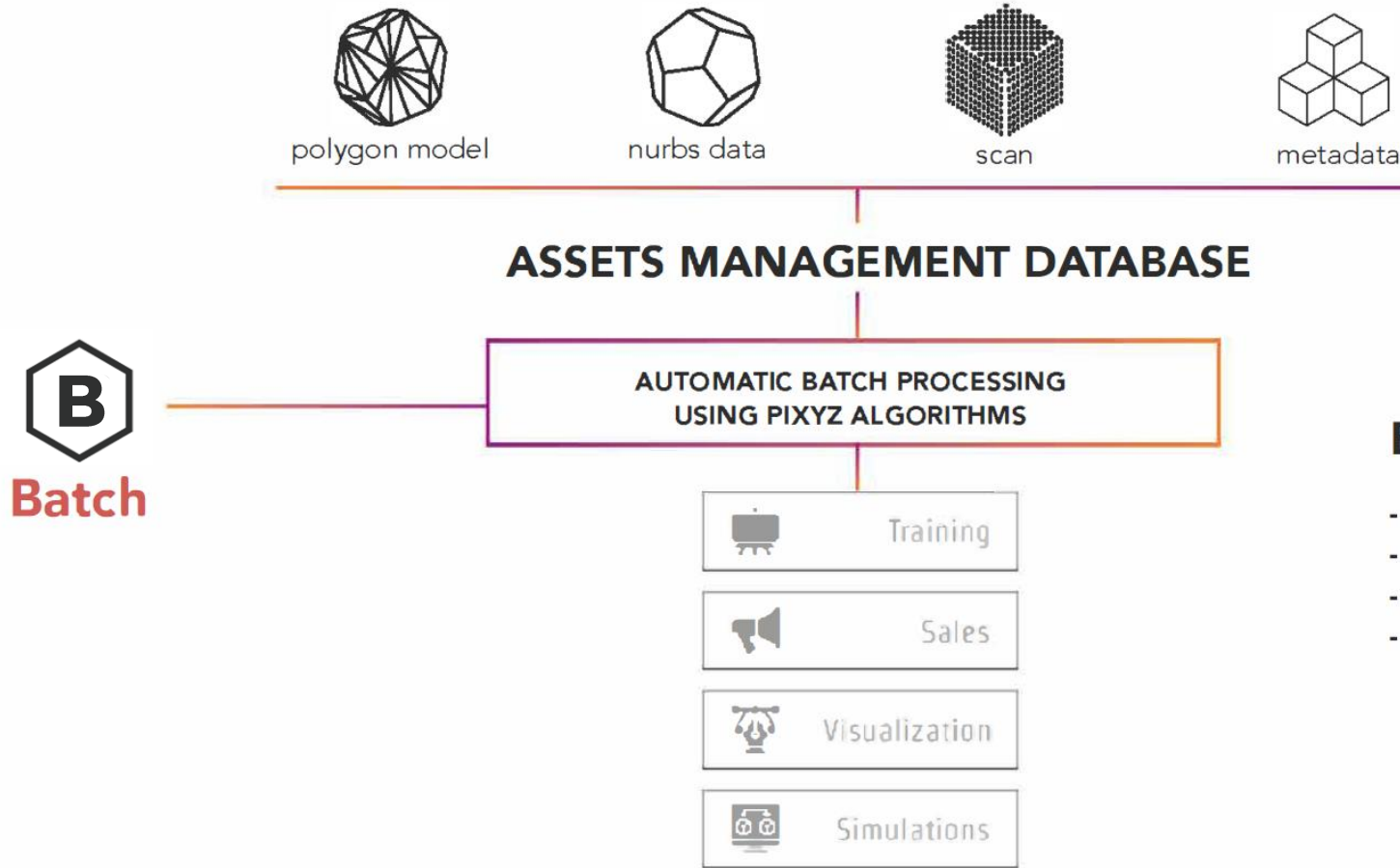
BEST-IN CLASS PRACTICES FOR  
CAD MANAGEMENT USING PiXYZ





# BUSINESS CASES

DIGITAL MOCKUP DEMOCRATIZATION



## BENEFITS :

- FLUIDIFY AND ENRICH CAD PROCESS
- MULTIPLY SCENARIOS
- ENRICH USAGES
- DEMOCRATIZE 3D USAGE



# BUSINESS CASES

## UNIVERSAL COLLABORATIVE CAD VIEWER



### BENEFITS :

- DELAY HARDWARE RENEWAL
- REDUCE LICENSE COST
- SIMPLIFY SUPPLIER/ENTITIES COLLABORATION
- REDUCE TRAVEL COST
- DEMOCRATIZE VR



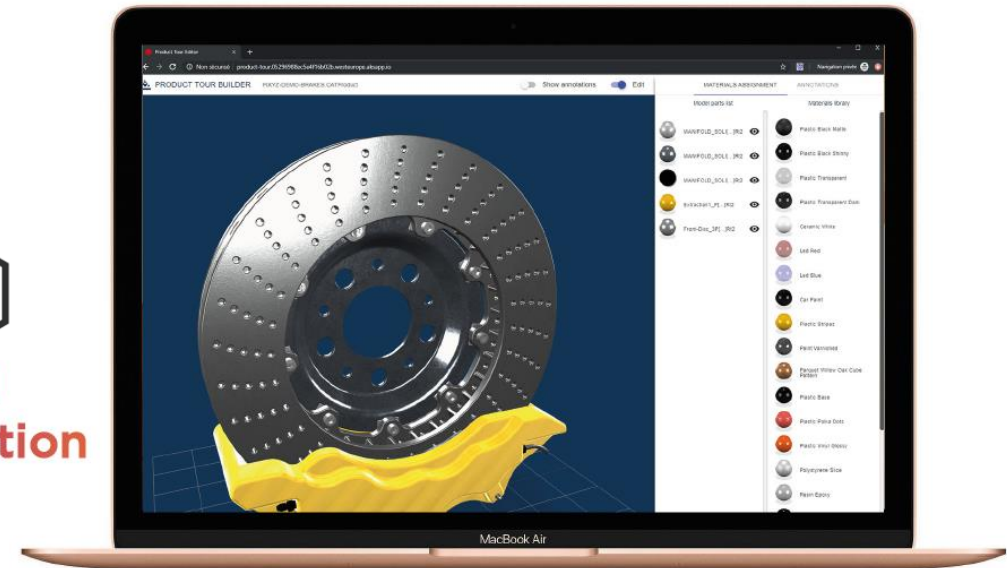
# BUSINESS CASES

## DATA OPTIMIZATION AND CONVERSION SaaS PLATFORM

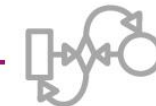
PIXYZ APIs can now be set up as a web service to prepare and optimize CAD content on-demand. PIXYZ SaaS offer has been deployed in several major industrial companies cloud servers and is connected to the entire group network : shared folders, filelake, openstack, ... ).

### BENEFITS :

- ACCESSIBLE VIA INTRANET
- MANAGE OPTIMIZATION SCENARIO
- USERS MANAGEMENT
- EMBEDDED 3D VIEWER
- EASY TO USE



UPLOAD  
CAD OR BIG 3D FILE



CHOOSE  
OPTIMIZATION  
SCENARIO



DOWNLOAD  
OPTIMIZED ASSET OR  
APPLICATION

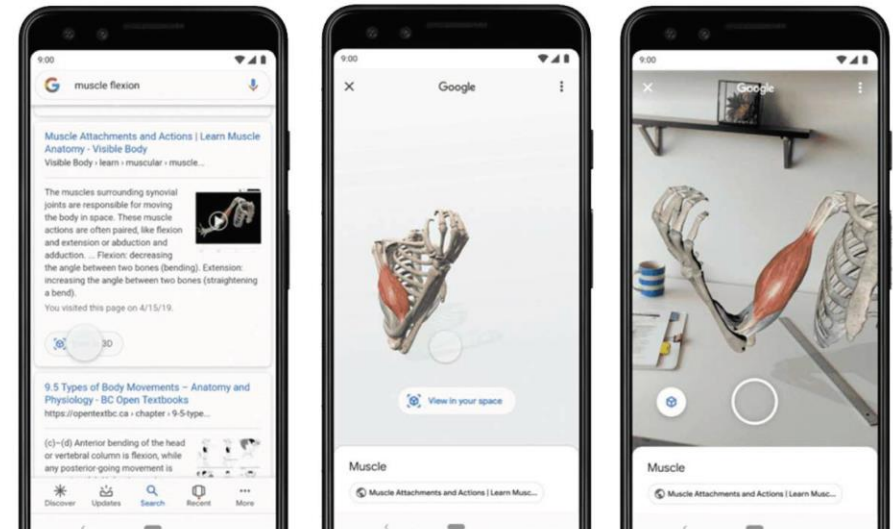




# BUSINESS CASES

## MASSIVE 3D PREPARATION PIPELINE

“Google is adding 3D augmented reality models to its search results — so you can check out a pair of shoes in the “real world” while you’re shopping online or put an animated shark in your living room.”



Studio Batch



# BUSINESS CASES

## PDM CONNECTORS

Atos



### MAGIC TRIANGLE

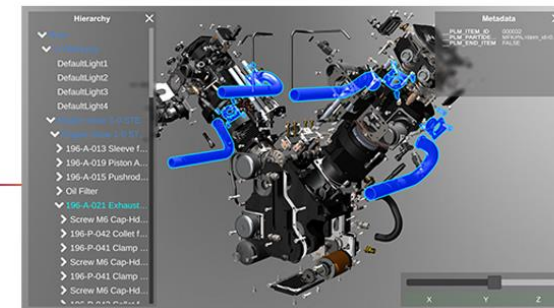
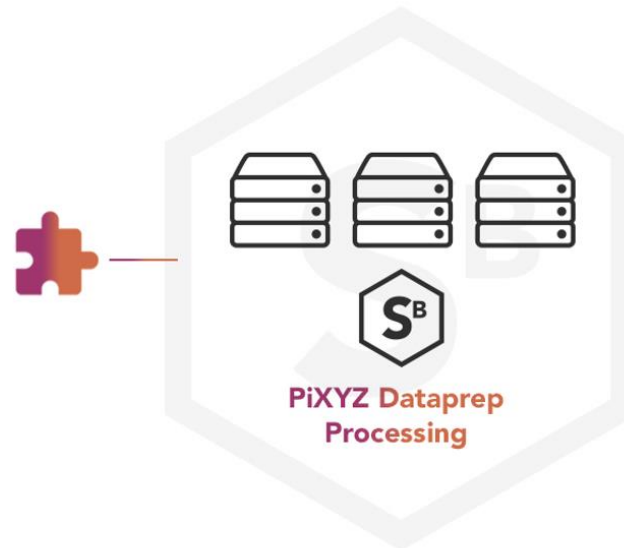
ATOS, Unity & PiXYZ have joined forces to create a new & powerful TeamCenter connector to Unity engine. This process will allow TC users to easily access, convert, optimize et pushed their CAD assets directly from their PDM to Unity experiences.



Real-time 3D-ready assets



SIEMENS Teamcenter client(s)  
using ATOS bespoke  
PiXYZ connector for Unity



Instant real-time 3D experience for any platform

Atos

PiXYZ  
SOFTWARE



# THANK YOU !



Business & information : [contact@pi.xyz](mailto:contact@pi.xyz)  
Technical question : [support@pi.xyz](mailto:support@pi.xyz)



@PixyzSoft



Website : <https://www.pixyz-software.com/>  
Youtube channel <https://www.youtube.com/channel/UCrtNbZIZifeZVCvVeTkFFNw>